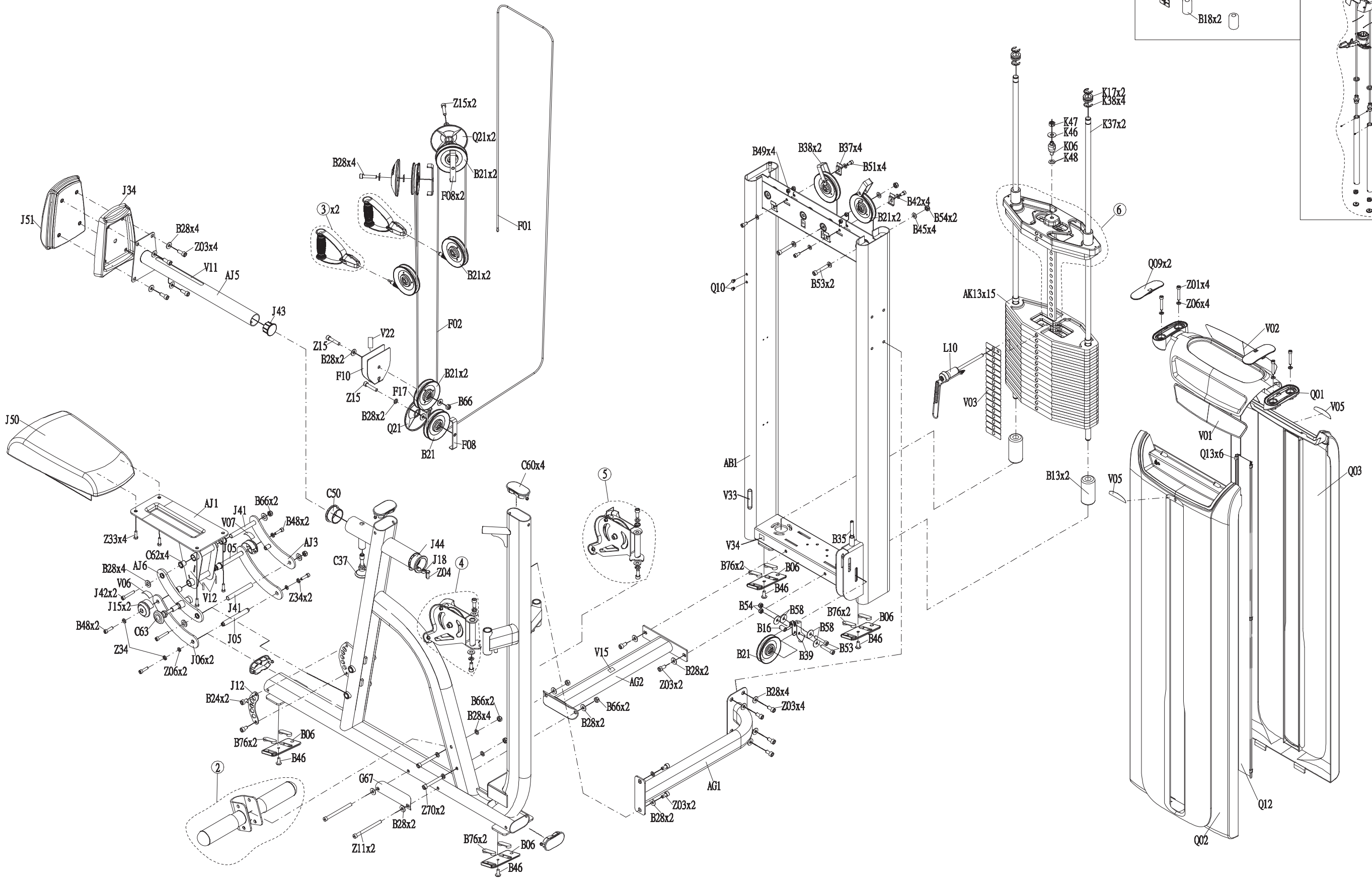
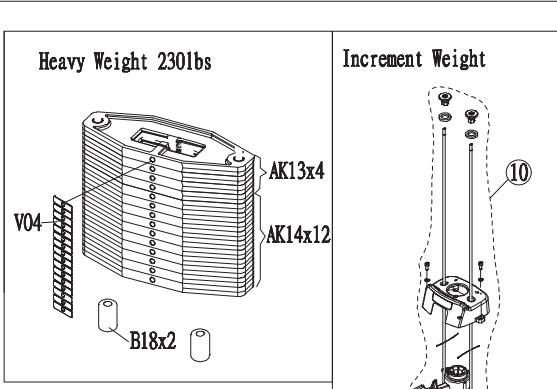
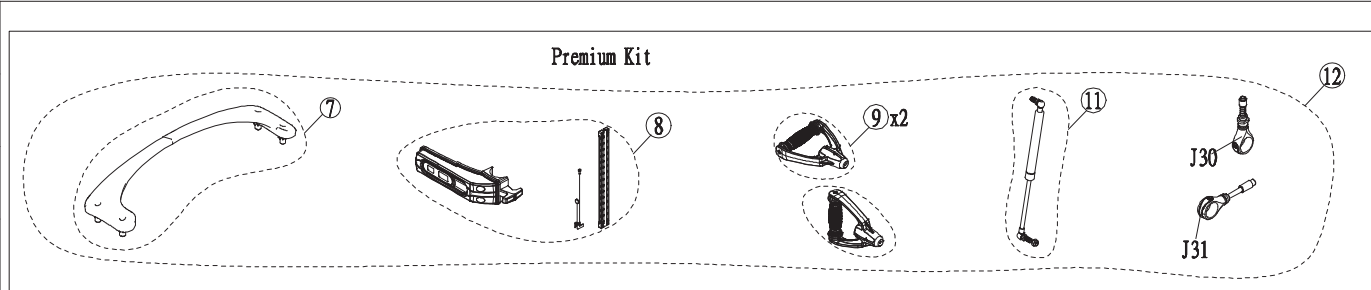
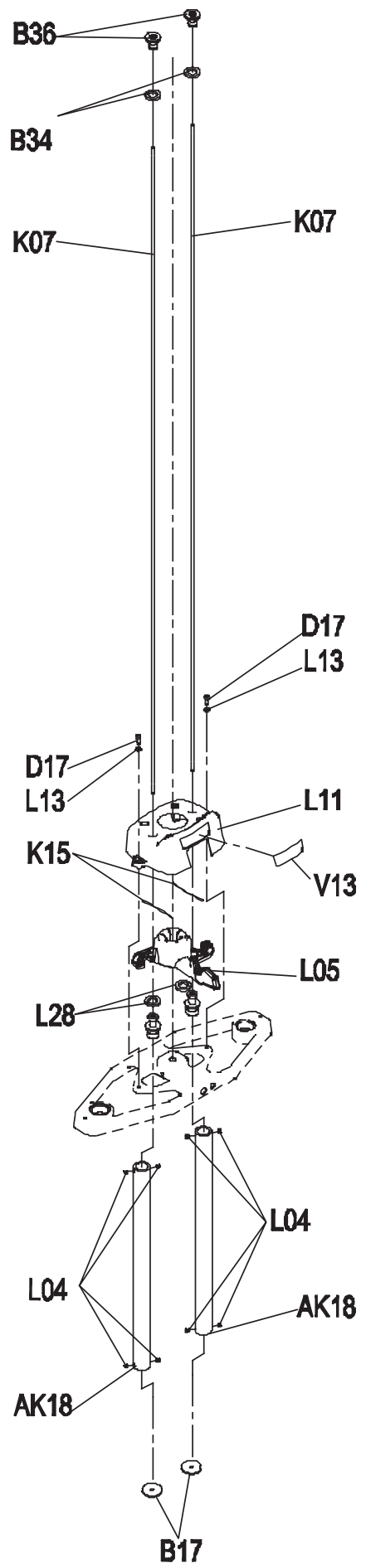


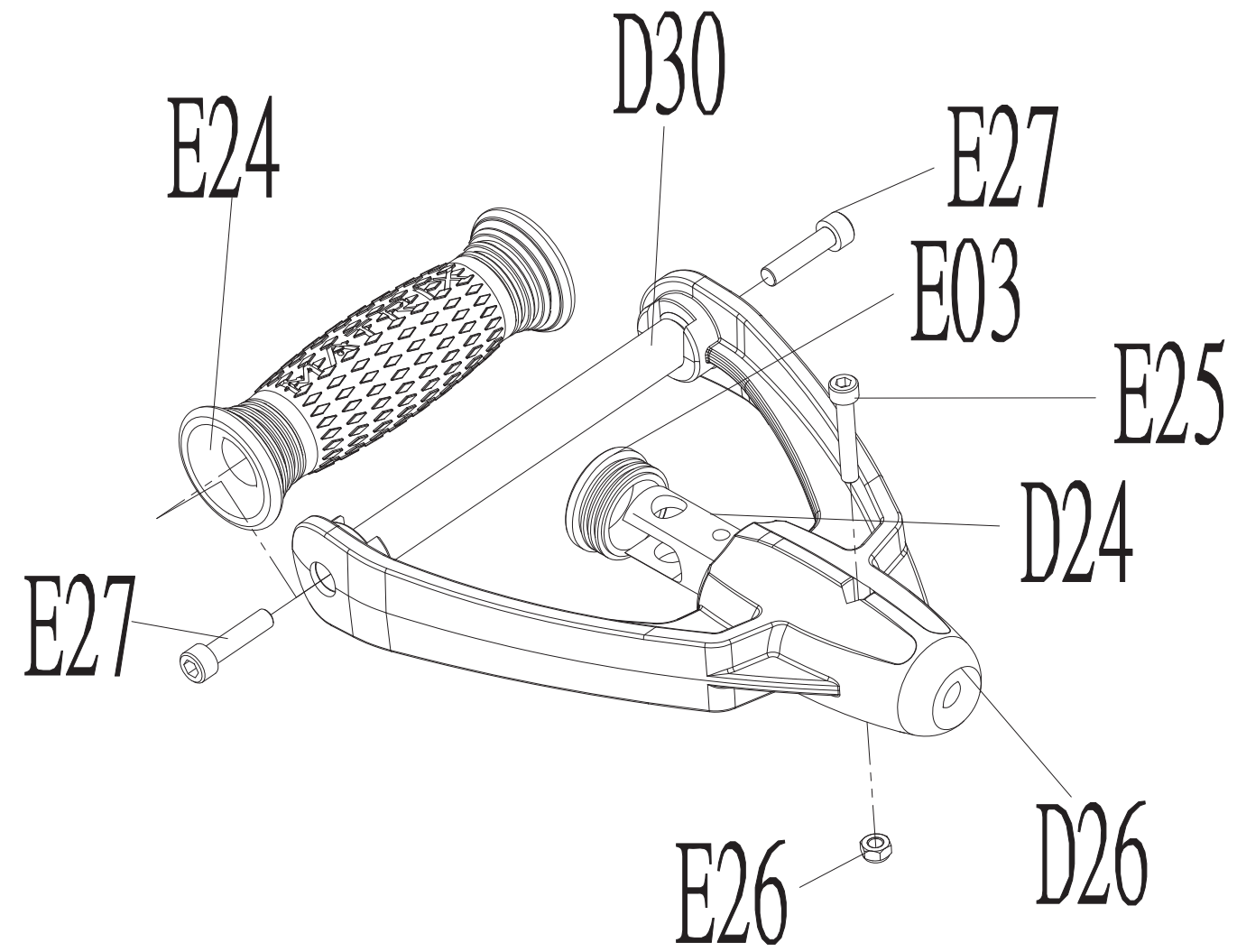
DRAWING NO	PVSGM60-KM		
PART NAME	Explosive Diagram		
PART NO	MGMO379-00		
APPROVE	wangtao	DATE	2022.05.09



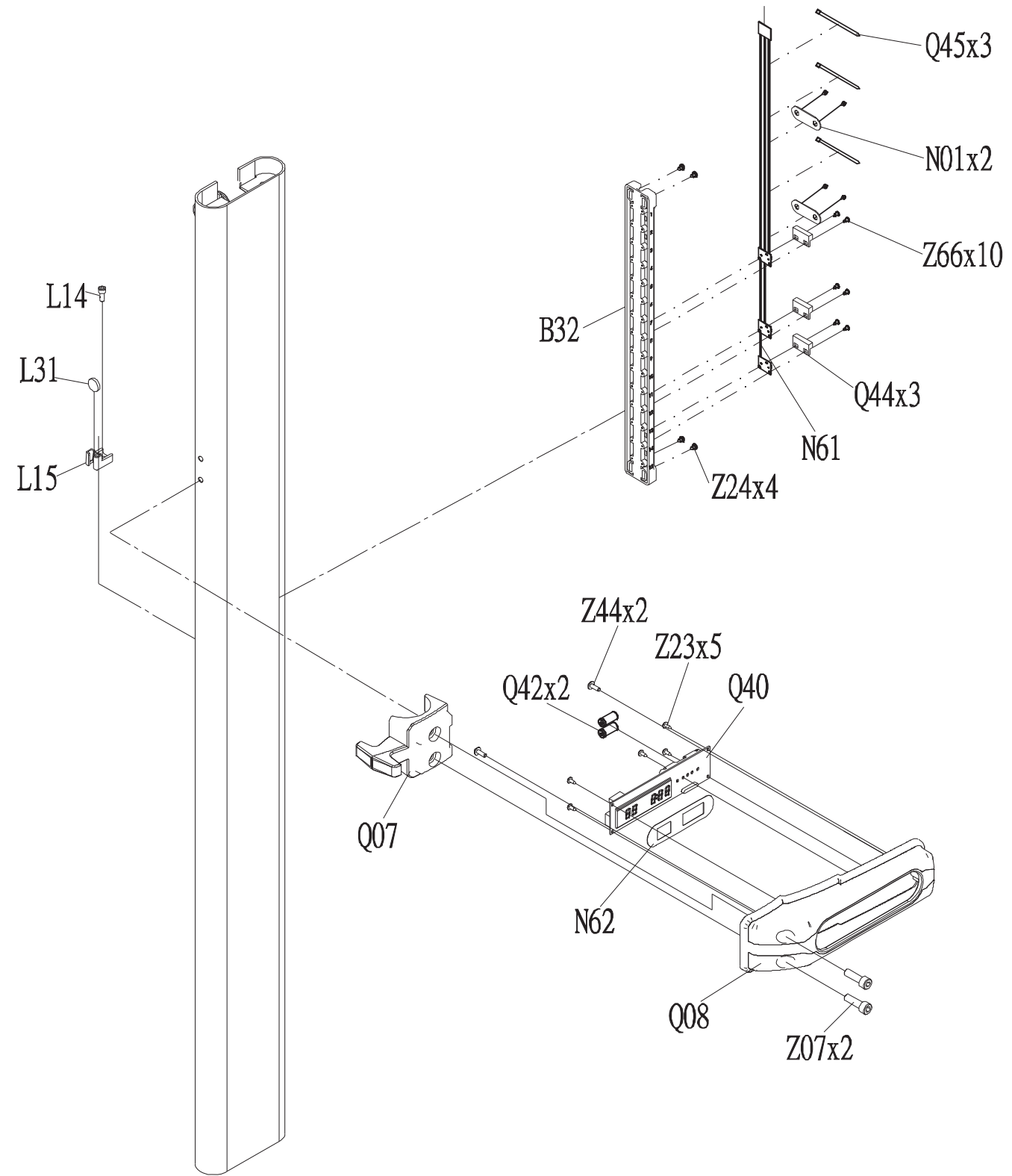
DRAWING NO			
PART NAME	Assistant weight Plate Set		
PART NO	1000113110	REV	A
APPROVE	ANDY	DATE	20130125



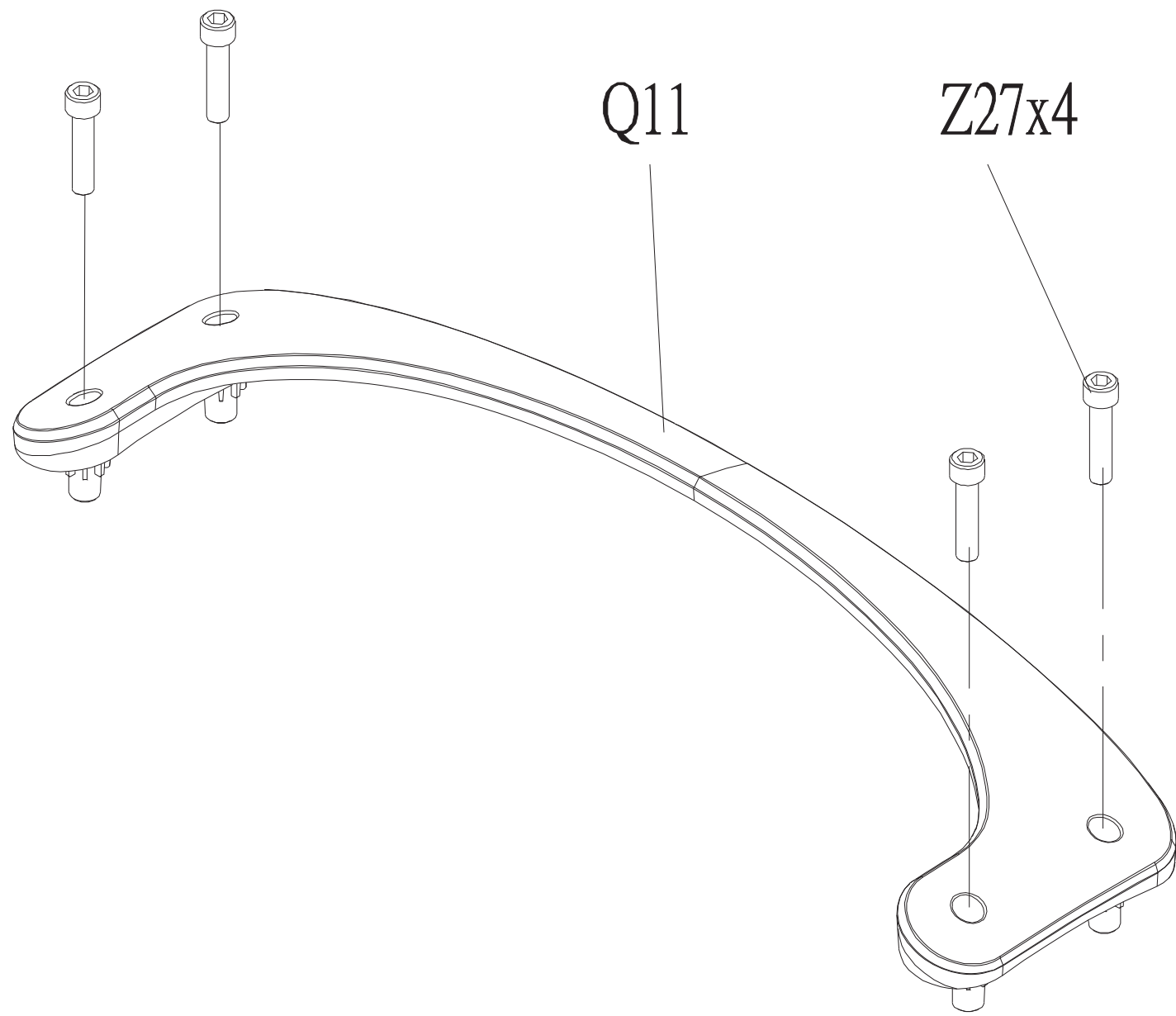
DRAWING NO	GM60-SF01		
PART NAME	Handle set;Semi-Assy		
PART NO	1000200224	$\frac{R}{E}$	A
APPROVE	WangTao	DATE	2022.05.11



DRAWING NO			
PART NAME	SENSE ORGAN SET		
PART NO	1000200250	REV	A
APPROVE	JOHN	DATE	20120711

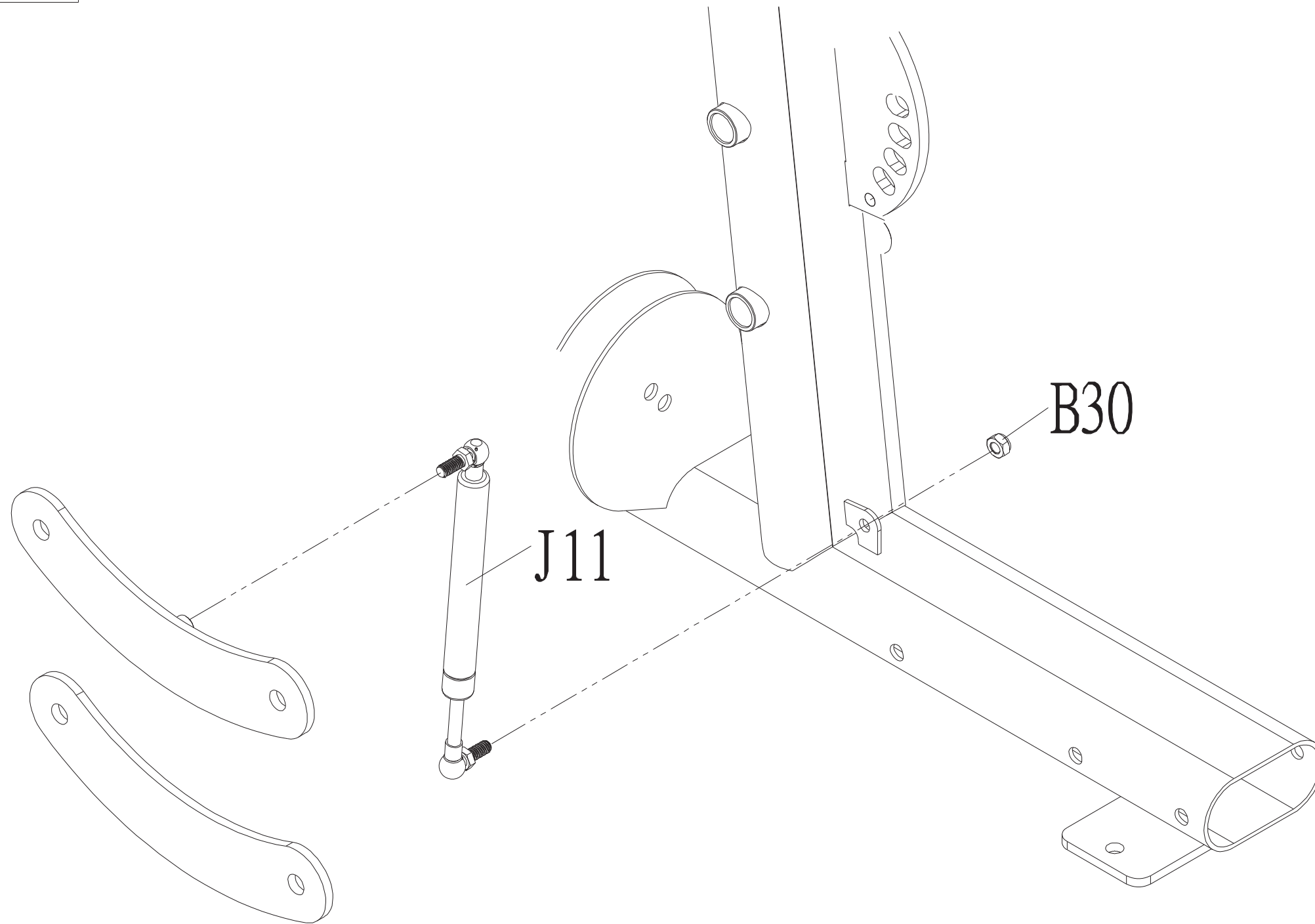


DRAWING NO	GM59-SF06		
PART NAME	Shield Set		
PART NO	See Chart	REV	A
APPROVE	Chenyng	DATE	20200121

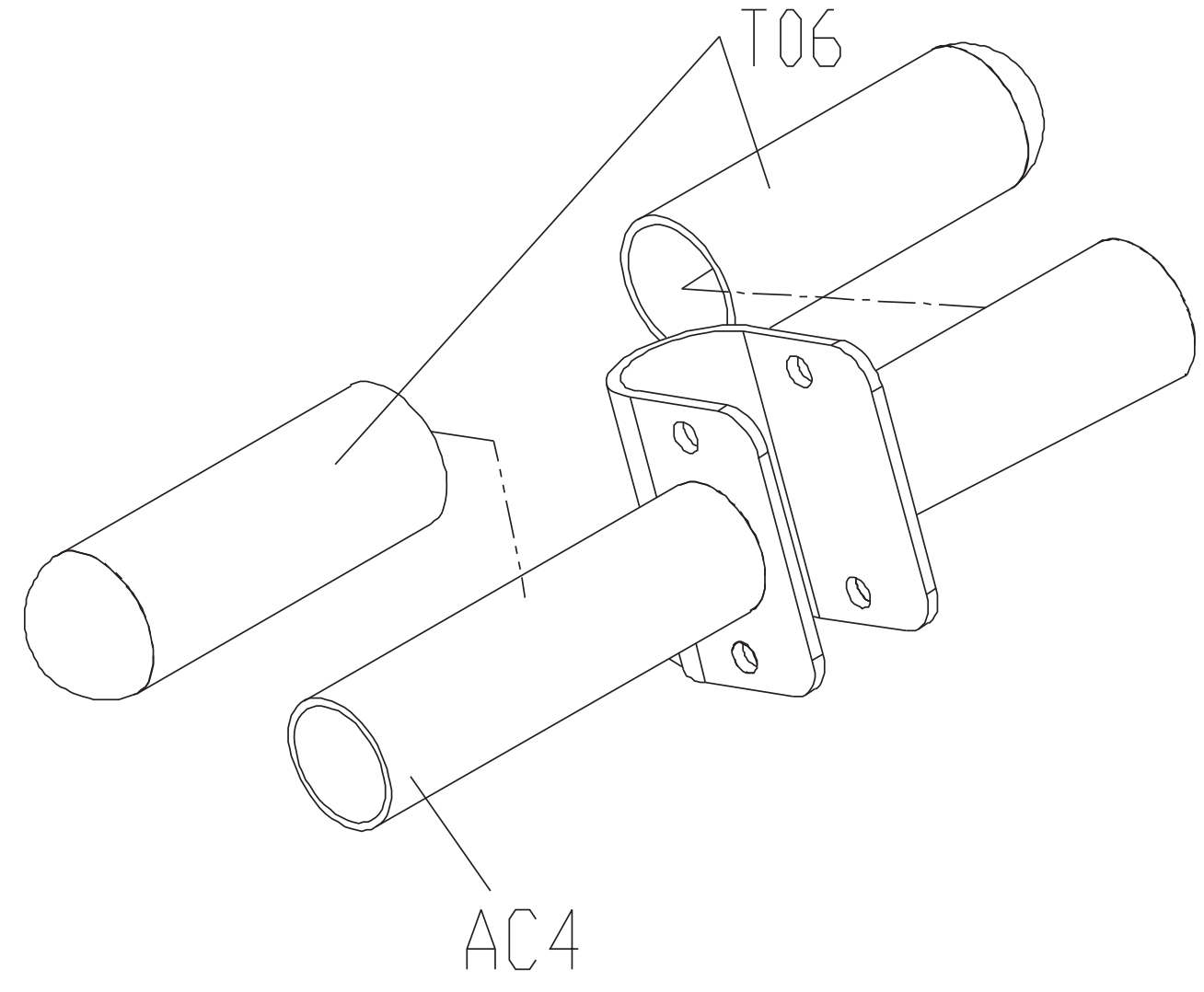


SAP NO.	Colour
1000220477	Bright Silver
1000437988	Black Matte
1000444719	Golden

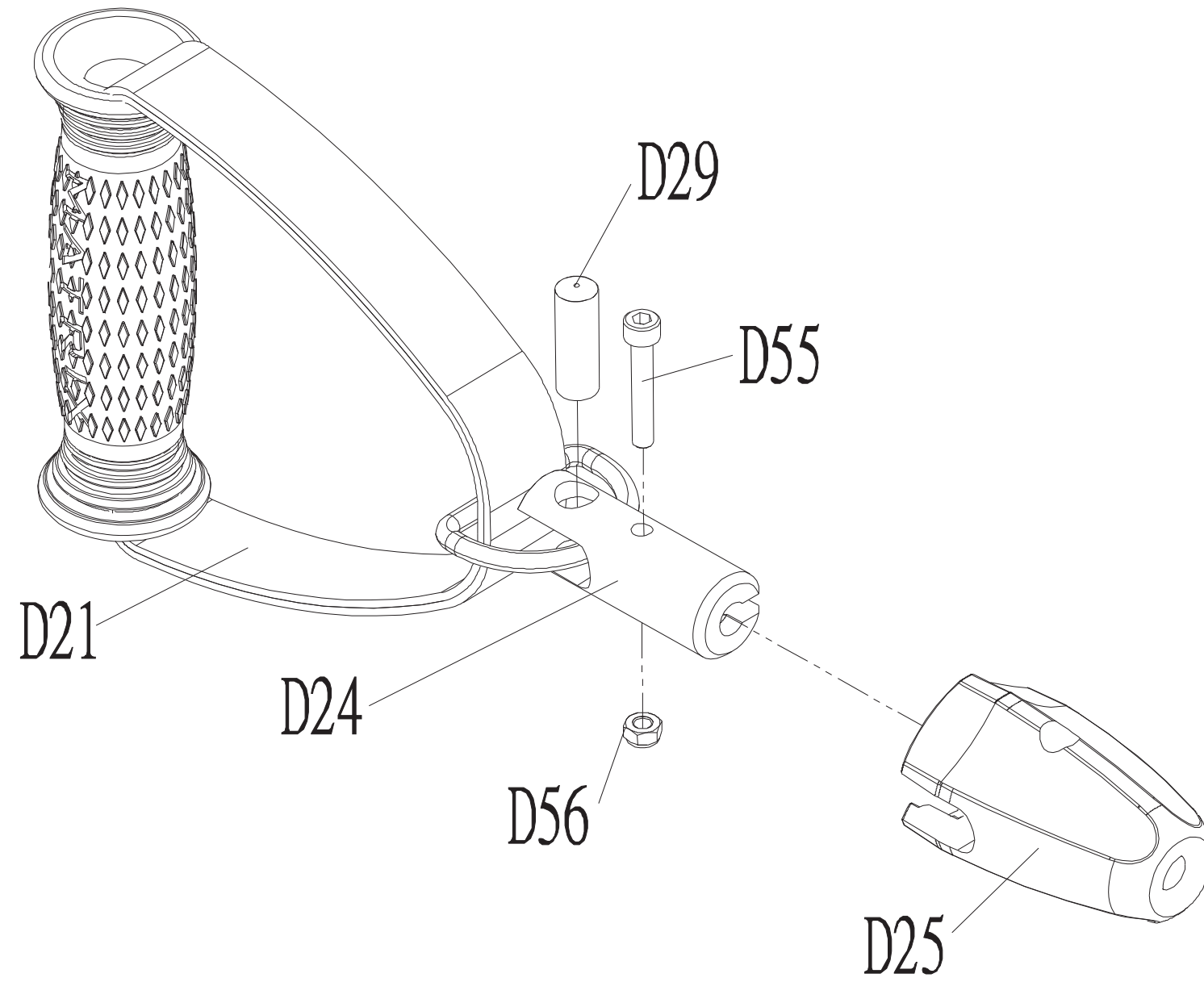
DRAWING NO	GM59-SF11		
PART NAME	Air Shock Set		
PART NO	1000220728		A
APPROVE	WangTao	DATE	2020.08.06



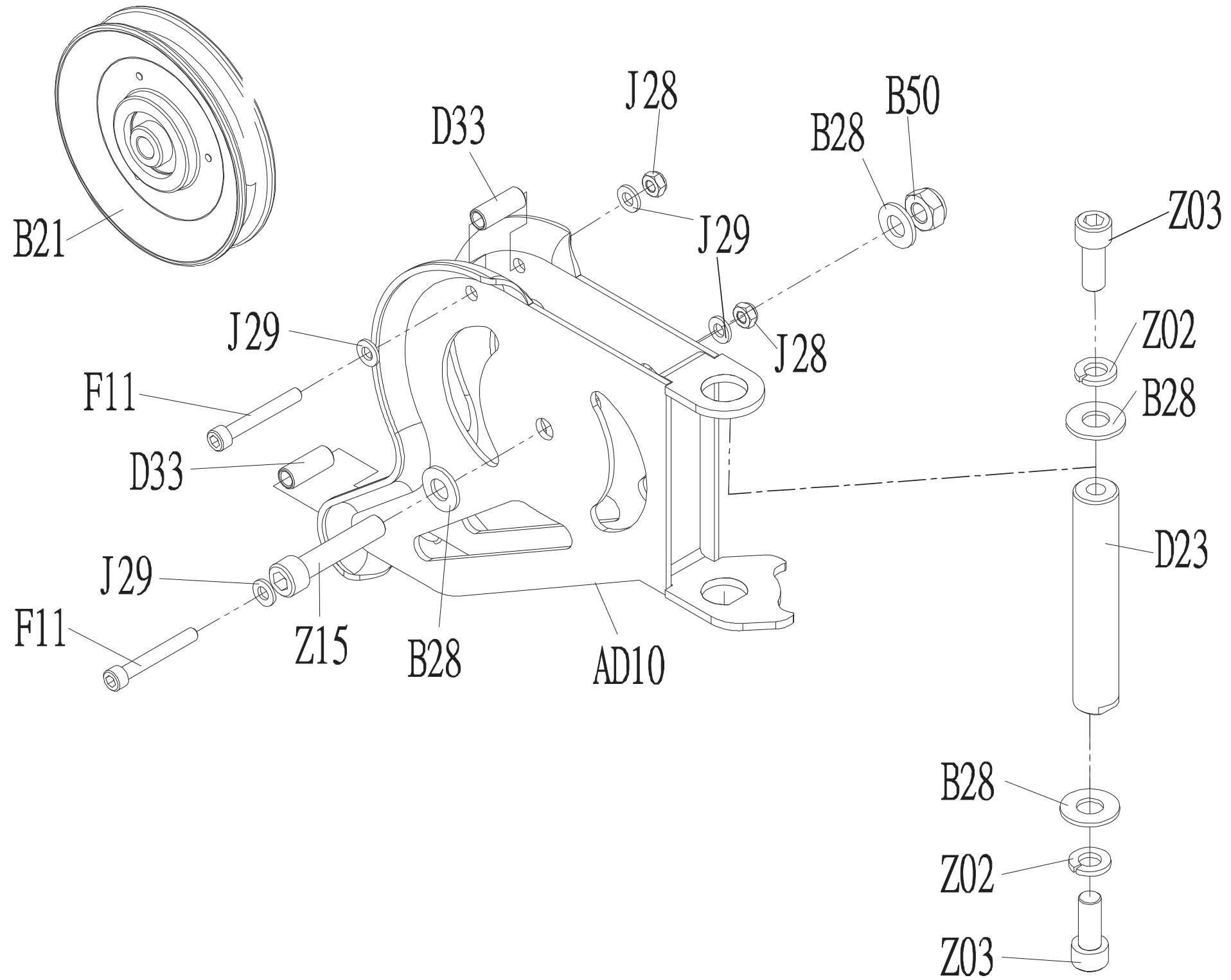
DRAWING NO	GM60-AC4		
PART NAME	Pedal set;SA;D		
PART NO	1000228334	REV	A
APPROVE	JETTA	DATE	2012.8.2



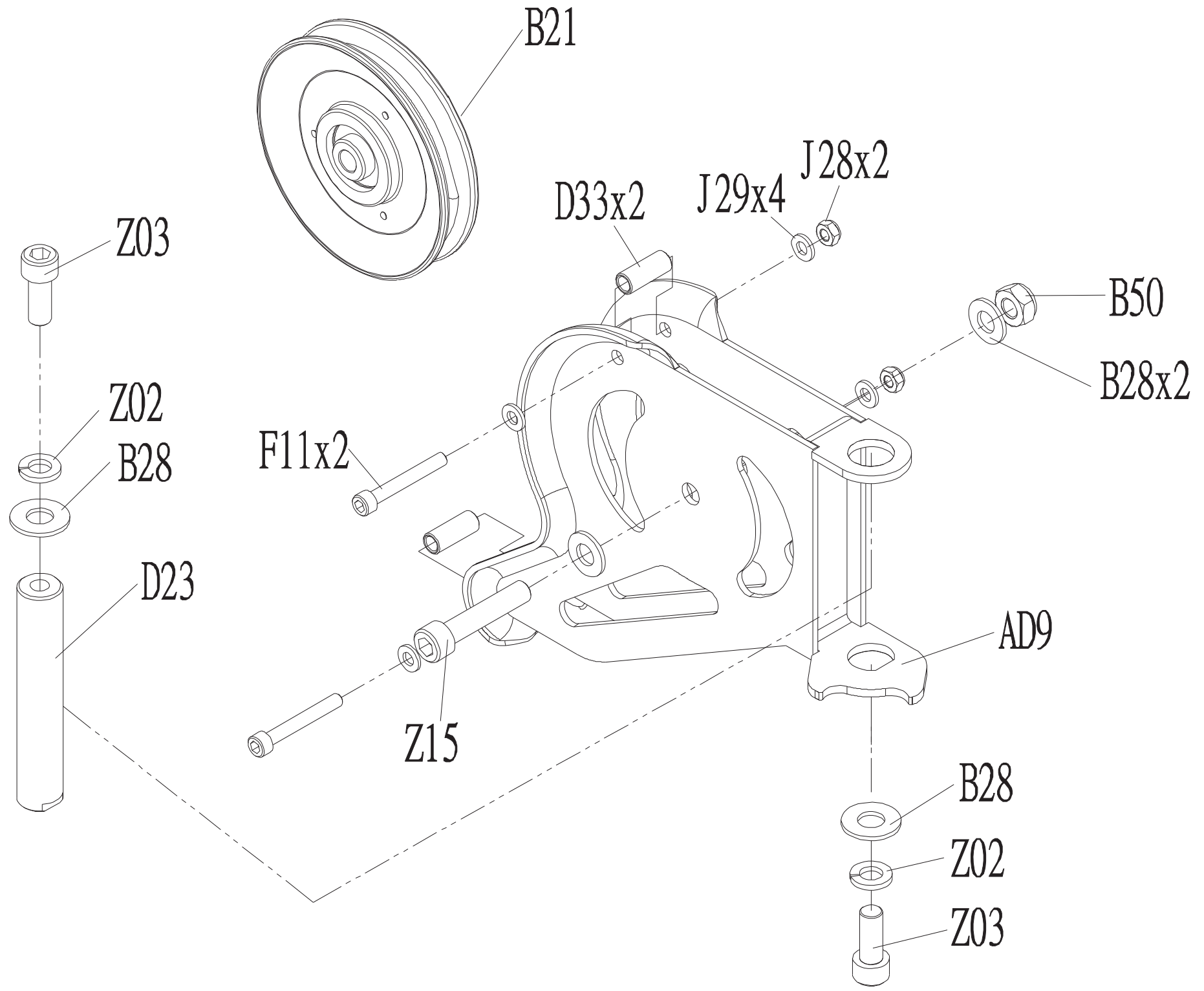
DRAWING NO	GM60-D21		
PART NAME	Handle set;SA;VALUE		
PART NO	1000228335	REV	A
APPROVE	JETTA	DATE	2011.12.22



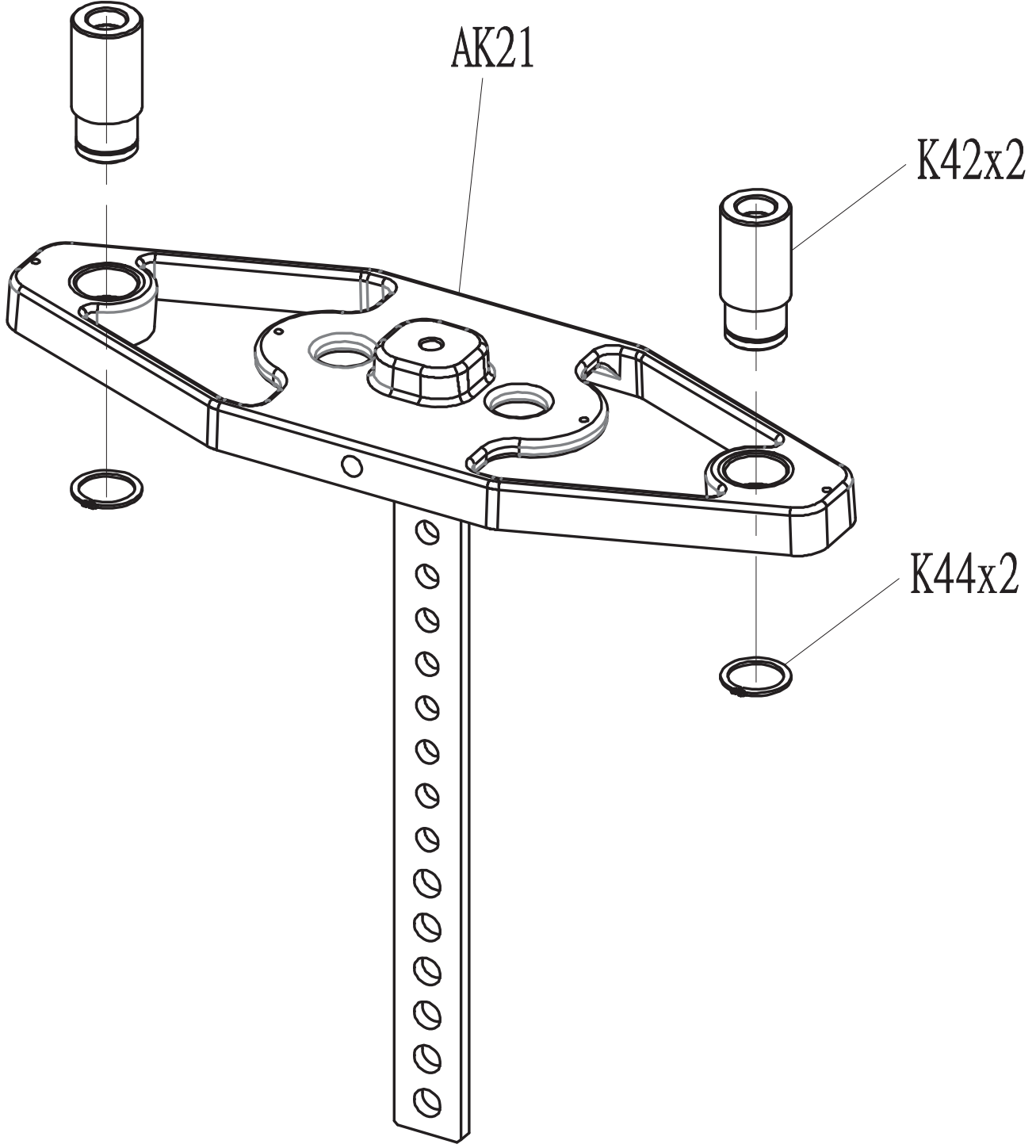
DRAWING NO			
PART NAME	Pedal Arm set;SA;L		
PART NO	1000228336	REV	A
APPROVE	JETTA	DATE	2011.12.22



DRAWING NO	
PART NAME	Pedal Arm set;SA;R
PART NO	1000228337 A
APPROVE	JETTA DATE 2011.12.22



DRAWING NO	GM59-AK23		
PART NAME	Select the group		
PART NO	1000448863	REV	A
APPROVE	WangTao	DATE	2020.01.03



Bubble#	OEM Number	Description	Notes
1	1000228333	USER FRAME SET SA SERVICE GM60	
10	1000113110	Assistant Weight Plate Set GM59-KM	Kit works with both light and heavy weight plate stacks // Incremental Weight Plate Set
11	1000220728	PREMIUM - Air Shock Set GM59-KM	
12	1000220924	PREMIUM LEVEL SA GM60	Includes all Premium Level Parts (Kits 7-11).
2	1000228334	PEDAL SET SA D GM60 SERVICE	
3	1000228335	HANDLE SET SA VALUE GM60 SERVICE	2 per unit.
4	1000228336	PEDAL ARM SET SA L GM60 SERVICE	
5	1000228337	PEDAL ARM SET SA R GM60 SERVICE	
6	1000207217	Wps Superstratum GM59	
7	1000220477	PREMIUM - SHIELD SET U GM59 -	
8	1000200250	PREMIUM - REP COUNTER	
9	1000200224	PREMIUM - Handle set SA R GM60	2 per unit.
AB1	1000228332	FRAME SET SA SERVICE GM60	
AD9	1000200275	LINK ARM SET R GM60	
AG1	1000200242	CONNECT TUBE - U PAINTING - - GM60	
AG2	1000200378	CONNECT TUBE - D PAINTING - - GM60	
AJ1	1000200215	SEAT ADJ SET GM60	Dark Gray - Used before VSGM60HI2106G001. See service bulletin "Seat Adjustable Set Color Change". For units produced on or after VSGM60HI2106G001. This part is Iced Silver. See service bulletin "Seat Adjustable Set Color Change".
AJ1	1000466227	Seat Adjustable Set Iced Sliver GM60	Color changed from Dark Grey to Black Matte beginning in 2021. See service bulletin "Seat Adjustable Set Color Change".
AJ3	1000226811	DISASSEMBLY CONNECT SET SA SEAT GM59-KM	
AJ5	1000232363	CHEST PAD SET ADJ CP GM60	Color changed from Dark Grey to Black Matte beginning in 2021. See service bulletin "Seat Adjustable Set Color Change".
AJ6	1000217864	SUPPORT PLATE SEAT PULL PIN PAINTING (DG	Color changed from Dark Grey to Black Matte beginning in 2021. See service bulletin "Seat Adjustable Set Color Change".
AK13	1000215667	Weight Plate axle sleeve - Extrawork,10LBS GM	10lb plate

AK14	1000215776	WPS set axle sleeve - Extrawork,15LBS GM	15lb plate
AK21	1000207218	Wps Set Superstratum Paint GM59	Kit works with both light and heavy weight plate stacks.
B06	1000303546	Plastic Pad Foot Pad - PP BL427	
B13	1000112985	Elastomer Weight Plate GM59	
B16	1000393987	Sleeve CON Tube painting Iced Sliver G	
B17	1000112984	Elastomer Assistant Weight Plate GM59	
B18	1000200252	RUBBER STOPPER - GM59	
B21	073573	Pulley 115mm	
B24	087097	Screw SH M10X1.5PX15L HS CHM	
B28	020465-AB	Washer Flat M10.2X25PX2.0T Chromed	
B30	004929-00	Nut Nylon M8x1.25P Chromed	
B32	1000096026	Fixing Base Sensor ABS GM40	
B34	1000215843	PLASTIC PLATE FRAME CR -	
B35	1000230891	SCREW SET M10X1.5PX65L FLATHEADED HS C	
B36	1000215844	Guide Rod fitting, Chromed	
B37	1000221624	BLOCK - - PAINTING - - -	
B38	1000204728	FIXING PLATE ROPE WHEEL SPHC GM59-KM	
B39	1000230611	SUPPORT PLATE WHEEL SPHC CHM GM59	
B42	005130-00	Washer Flat 8.4x15.5x1.6T Chromed	
B45	020465-AB	Washer Flat M10.2X25PX2.0T Chromed	
B46	004696-AB	Screw TH M8x1.25Px20L Hex Socket Chrom	
B48	1000108805	Screw RND M8x1.25Px20L HS CHM BP G12.9	
B49	079123	Placard Holder	
B50	1000105174	Nut Nylon M10x1.5P G12.9 CHM	
B51	004493-00	Screw Hex Socket Round M8x1.25Px16L	
B53	1000108796	Screw RND M10x1.5Px55L HS CHM BP G12.9	
B54	1000105174	Nut Nylon M10x1.5P G12.9 CHM	
B58	005144-AC	Washer Flat 10.2X35.0X2.0T Chromed	
B66	1000105174	Nut Nylon M10x1.5P G12.9 CHM	
B76	1000233200	PLASTIC COVER NBR BL	
C37	1000217860	PIN SET SA ADJ CHEST PAD VALUE GM60	Order Kit J30 for Premium.

C50	1000111093	Sleeve Adj Tube GM55-KM	
C60	1000205448	PLASTIC COVER - - - GM59	
C62	1000096014	Bushing 15x19x20T GM40	
C63	1000217858	PIN SET SA ADJ SEAT Value GM60	Order Kit J31 for Premium.
C63	1000397503	Pull Pin ADJ 45# Chrome GM104-KM Diam.1	Pull Pin (pin only)
D23	1000217823	AXLE, SWIVEL 20 WZN SWING ARM	
D24	1000217824	BLOCK S45C CHM GRIP(ARM REST)	
D25	1000217825	PLASTIC COVER CABLE CLEVIS PA6 GF30K-FG6	
D33	1000217833	SLEEVE 20 PLRTEING PULLEY GM60	
D55	1000105036	Screw RND M5x0.8Px30L HS G8.8CHM BP	
D56	1000207764	Nut Nik M5	
E03	000945-AA	End Cap Handlebar O31.8 Black	
E24	090024	Grip MS21KM-G3	
E25	1000105036	Screw RND M5x0.8Px30L HS G8.8CHM BP	
E26	1000207764	Nut Nik M5	
E27	1000102861	Screw Hex Socket Round M6x1.0Px25L Cr Pl	
F01	1000200193	TIGHTWIRE A Diam.4.8X3418L GM60	
F02	1000200282	TIGHTWIRE B ?X4.8X3692L	This part also includes two (2) rubber grommets, part number 1000300541.
F08	1000102592	Stopper Plate Pulley Painting GM40	
F10	1000320956	Movable Pulley Fixing Set Iced Sliver	
F11	004514-Z	Screw Hex Socket Round M6x1.0Px40L(Tooth	
F12	1000098705	Bushing 26x20x20L GM41	
F17	1000212396	Fixing Plate Cable Head - 45# BED GM46	
G67	1000215741	FIXED SET - RD PAINTING - - GM63	
J05	1000113092	Axis Connect Pole 45# Chromeplate GM59	Color changed from Dark Grey to Black Matte beginning in 2021. See service bulletin "Seat Adjustable Set Color Change".
J06	1000226804	SEAT SET SA D GM63 SERVE	
J12	1000113094	Adjust Plate Seat Chair Chromeplate SPHC	
J15	1000113095	Cover Seat Chair GM59	
J18	1000095125	Sleeve Ring GM43	

J28	004938-00	Nut Nylon M6X1.0P Chromed	
J29	020439-00	Washer Flat 6.4X14.0X1.0T Chromed	
J30	1000217861	PREMIUM - PIN SET SA ADJ CHEST PAD GM60	Premium version of Kit C37.
J31	1000217859	PREMIUM - PIN SET SA ADJ SEAT GM60	Premium version of Kit C63.
J34	1000441318	Cover1 Chest Pad ABS/PA757 Deep Grey Pa	
J41	1000227041	SLEEVE S45C WZN CONNECTING	
J42	084666	Screw SH M10X1.5PX160L HS CHM	
J43	1000102686	Cap End ADJ Tube GM43	
J44	1000317877	PLASTIC LINER Fixing Tube POM GM43	
K06	1000113106	Tightwire Fix Pin 45# GM59	
K07	1000113102	Guide Rod SUS304 Diam.6X1421.7 GM59	
K15	1000204997	Steel Weight Plate Up 1080 Spring Steel	
K17	1000202352	Cushion Guide Rod	
K37	1000209625	GUIDE ROD 45 - WEGHT PLATE	
K38	1000102915	Circlip E Type E-15 Cr Plate	
K42	1000215659	BUSHING GUIDE ROD POM	
K44	1000102912	Circlip External C Type S-30 BED	
K47	004945-00	Nut Nylon M12x1.75P Chromed	
L01	1000113111	Incremental Weight Plate - GM59-KM - Pai	
L02	1000113107	Axis Sheath Leader GM59	
L03	1000211166	PLASTIC BASE ADD WEIGHT PLATE POM GM5	
L04	1000210485	SCREW SET M5X0.8PX6L FLAT POINT HS G8.8	
L05	1000200264	GRIPE ABS+TPR GM59	
L10	1000201802	PULL PIN SET WPS GM62 -	
L11	1000207213	COVER INCREMENTAL WEIGHT ABS - - -	
L13	070571	Washer Flat 5.2X10.0X1.5T CHM	
L14	1000108801	Screw RND M5x0.8Px15L HS CHM BP G8.8	
L15	1000209576	PLASTIC BASE MAGNET ABS FIXING	
L28	1000224913	Cushion Aaw Nbr BI	
L31	1000232864	PERMANENT MAGNET - 1500## ##	
N61	1000229510	WIRE DISPLAY BOARD -- OKI HARBOR 2.5-	

N62	1000096575	Overlay Manipulate GM40	
Not Shown	ZMS4003244	Decal, QR, VS-S34 Div. Seated Row	
Not Shown	1000300541	Plug,mid,PVC,BLY10,Pedal Arm Grip,GM60,R	Rubber grommet for cable F02. (The cable also includes this part, qty. 2)
Q01	1000113113	Cover Up ABS GM59	
Q02	1000113114	Cover Front Clarity ABS GM59	
Q03	1000113115	Cover Back Clarity ABS GM59	
Q07	1000209577	PLASTIC BASE REP COUNTER - FIXING	
Q09	1000209593	END CAP ACCENT	
Q12	1000209591	PLASTIC BAR - PVC - LABEL	
Q13	1000303486	Clamp Cover -	
Q21	089358	Cover Pulley GM27	
Q42	ZMS4001255	Battery, AA for console	
Q44	001679-00	Tie Strap Adhesive Nylon 66 HC-101 W	
Q45	005811-00	Cable Tie Nylon Black 160L	
T06	086732	Foam For50.8 Foot Pad PL01	
V01	1000217837	INSTRUCTIONAL LABE PC FRONT GM60	
V02	1000217838	INSTRUCTIONAL LABE PC REAR GM60	
V03	1000215718	SPEC LABEL 10 LB WEIGHT PLATE BLACK PC	10lb labels.
V04	1000409123	Direction Label Weight Plate 230lbs/140k	15lb labels.
V05	1000215704	MARKING GM59-KM	
V06	1000215723	DIRECTION LABEL SEAT ADJUSTABLE - PC LEF	
V07	1000215724	DIRECTION LABEL SEAT ADJUSTABLE - PC RIG	
V11	1000201770	Spec Label CHEST PAD ADJUST PC	
V12	1000217282	DIRECTION LABEL SEAT ADJUSTABLE - PC -	
V14	1000201769	Direction Label CHEST PAD ADJUST PC	
V15	1000224396	INSTRUCTIONAL LABE BASE TUBE PC DOWN G	
V33	1000232600	Warning Label - - - PC - -	
Z01	1000097206	Screw SH M8X1.25PX25L HS CHM BP	
Z02	005017-00	Washer Spring SW10 10.2X18.4X2.5T Chromed	
Z03	004555-AB	Screw Hex Socket Round M10x1.5Px25L Cr A	
Z04	004596-00	SCREW HH M8X1.25PX25L HE	

Z06	005047-00	Washer Flat 8.2x20x1.8T Black Zinc	
Z07	098577	SCREW HEX M8X1.25X35L	
Z11	1000104707	Screw Hex Socket Round M8x1.5Px125L Adh	
Z15	020112-A	Screw Hex Socket Round M10x1.5Px50L(Tooth15)	
Z23	020196-A	Screw Phillip BH Tapped 3x6L Zn-BL	
Z24	004870-00	Screw Plain Tapping Rail Lock 5x15L	
Z27	020081-00	Screw SH M8X1.25PX60L HS G12.9	
Z33	1000102584	Screw Hex M10x1.5Px20L Cr Plate G12.9	
Z34	081649	Washer SPL SW8 8.2X13.5X2.0T CHM	
Z44	1000104672	Screw BH M5x0.8Px10L HS CST CST CST CHM	
Z66	040816-A	Screw Phillip BH Tapped 3x8L	
Z70	1000102866	Screw Hex Socket Round M10x1.5Px80L Cr P	
AC1	Part of Kit 1	BASE SET - - PAINTING - - GM60	
AC4	Part of Kit 2	SUPPORT TUBE WELDING SET FOOT D PAINTING	
AD10	Part of Kit 6	PEDAL ARM SET PULLEY L PAINTING GM60	
AK21	Part of Kit 6	Wps Set Superstratum Paint GM59	
D21	Part of Kit 3	GRIP - - GM60-KM	
D26	Part of Kit 9	PLASTIC RACK HANDLE PA6 GF30K-FG6 BL	
D29	Part of Kit 3	PILLAR S45C CHM GRIP(ARM REST)	
D30	Part of Kit 9	AXLE, CENTRAL 20 WZN HANDLE	
J11	Part of Kit 11	AiR Shock Set GM59-KM	
J50	See Pad Matrix	Seat Pad Black GM43-KM	
J51	See Pad Matrix	Chest Pad Black GM43-KM	
Not Shown	1000200115	Hardware Kit	
Q06	Part of Kit 8	PLASTIC PAD DISPLAY TPE	
Q11	Part of Kit 7	GRIPEND TOP COVER - - - ADC12	
Q14	Part of Kit 8	PLASTIC BASE COUNTER TPR GM59-KM	
Q40	Part of Kit 8	UCB Matrix GM40 H102S1.60	
Q48	Part of Kit 8	Fixing Base PC GM40	
V34	N/A	EN LABEL PC	Discontinued
B16	098979	Sleeve CON Dode Peadel Arm 45# GM40	Discontinued

F10	1000106088	Fixing Plate Pulley Painting GM46(servic	Discontinued
G67	1000226805	FIX SET SA GM63 SERVE	Discontinued
J06	1000200194	CONNECT POLE - D SPHC PAINTING(DG 446C)	Discontinued - Color changed from Dark Grey to Black Matte beginning in 2021. See service bulletin "Seat Adjustable Set Color Change".
J34	1000099592	Fixing Base Chest Pad GM43	Discontinued
L01	1000215719	BUSHING Q195 - AAW	Discontinued
Q13	1000209592	CLAMP COVER TINNERMAN D43806-014 - - -	Discontinued
V04	1000215727	DIRECTION LABEL WEIGHTPLATE#15LBS PC	Discontinued - 15lb labels.
Z03	004522-00	Screw SH M10X1.5PX25L HS CHM	Discontinued